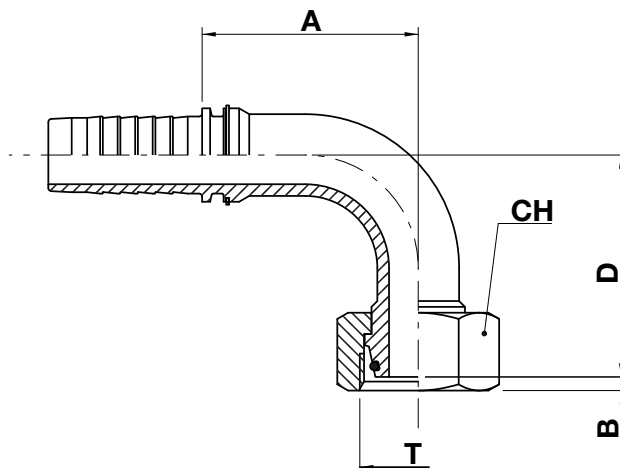


FL93B FL91B FL92B**Metric light female swivel - 90° elbow (24° cone seat)**

NO SKIVE / EXTERNAL SKIVE

ISO 8434-1 / DIN 3865



.....
FERRULE
.....
FITTING
BSP-BSPT
METRIC
JIC
ORFS
SAE
NPTF-NPSM
JIS
SAE 3000 CODE 61
SAE 6000 CODE 62
STAPLE LOCK

| code | ø hose | | | T | pipe | A | | B | | D | | CH | | |
|-------------|--------|-------|------|---------|------|------|------|-----|------|------|------|------|-------|---------|
| | dn | inch | size | | | mm | in | mm | in | mm | in | mm | in | ↻ in |
| FL91B-04-12 | 6 | 1/4" | 04 | M12X1,5 | L6 | 30,7 | 1,21 | 2,6 | 0,10 | 30,0 | 1,18 | 16,0 | 0,630 | 5/8" |
| FL93B-04-14 | 6 | 1/4" | 04 | M14X1,5 | L8 | 28,0 | 1,10 | 1,5 | 0,06 | 31,0 | 1,22 | 17,0 | 0,669 | 11/16" |
| FL93B-04-16 | 6 | 1/4" | 04 | M16X1,5 | L10 | 28,2 | 1,11 | 1,5 | 0,06 | 32,5 | 1,28 | 19,0 | 0,748 | 3/4" |
| FL93B-04-18 | 6 | 1/4" | 04 | M18X1,5 | L12 | 29,5 | 1,16 | 1,5 | 0,06 | 34,5 | 1,36 | 22,0 | 0,866 | 7/8" |
| FL92B-05-14 | 8 | 5/16" | 05 | M14X1,5 | L8 | 30,5 | 1,20 | 1,5 | 0,06 | 34,0 | 1,34 | 17,0 | 0,669 | 11/16" |
| FL93B-05-16 | 8 | 5/16" | 05 | M16X1,5 | L10 | 30,5 | 1,20 | 1,5 | 0,06 | 33,0 | 1,30 | 19,0 | 0,748 | 3/4" |
| FL93B-05-18 | 8 | 5/16" | 05 | M18X1,5 | L12 | 31,5 | 1,24 | 1,5 | 0,06 | 36,0 | 1,42 | 22,0 | 0,866 | 7/8" |
| FL92B-06-16 | 10 | 3/8" | 06 | M16X1,5 | L10 | 34,0 | 1,34 | 3,5 | 0,14 | 39,5 | 1,56 | 19,0 | 0,748 | 3/4" |
| FL93B-06-18 | 10 | 3/8" | 06 | M18X1,5 | L12 | 30,5 | 1,20 | 1,5 | 0,06 | 36,0 | 1,42 | 22,0 | 0,866 | 7/8" |
| FL93B-06-22 | 10 | 3/8" | 06 | M22X1,5 | L15 | 31,5 | 1,24 | 2,5 | 0,10 | 40,0 | 1,57 | 27,0 | 1,063 | 1.1/16" |
| FL93B-08-22 | 12 | 1/2" | 08 | M22X1,5 | L15 | 38,2 | 1,50 | 2,5 | 0,10 | 40,0 | 1,57 | 27,0 | 1,063 | 1.1/16" |
| FL93B-08-26 | 12 | 1/2" | 08 | M26X1,5 | L18 | 39,0 | 1,53 | 2,0 | 0,08 | 49,0 | 1,93 | 32,0 | 1,260 | 1.1/4" |
| FL92B-10-22 | 16 | 5/8" | 10 | M22X1,5 | L15 | 54,0 | 2,13 | 2,5 | 0,10 | 55,5 | 2,19 | 27,0 | 1,063 | 1.1/16" |
| FL93B-10-26 | 16 | 5/8" | 10 | M26X1,5 | L18 | 54,0 | 2,13 | 2,0 | 0,08 | 53,0 | 2,09 | 32,0 | 1,260 | 1.1/4" |
| FL93B-10-27 | 16 | 5/8" | 10 | M27X1,5 | L18 | 54,0 | 2,13 | 2,0 | 0,08 | 53,0 | 2,09 | 32,0 | 1,260 | 1.1/4" |
| FL93B-12-30 | 19 | 3/4" | 12 | M30X2 | L22 | 55,5 | 2,19 | 3,5 | 0,14 | 57,0 | 2,24 | 36,0 | 1,417 | 1.7/16" |
| FL92B-16-30 | 25 | 1" | 16 | M30X2 | L22 | 62,0 | 2,44 | 3,5 | 0,14 | 58,5 | 2,30 | 36,0 | 1,417 | 1.7/16" |
| FL93B-16-36 | 25 | 1" | 16 | M36X2 | L28 | 74,0 | 2,91 | 3,5 | 0,14 | 69,0 | 2,72 | 41,0 | 1,614 | 1.5/8" |
| FL93B-16-45 | 25 | 1" | 16 | M45X2 | L35 | 79,5 | 3,13 | 3,0 | 0,12 | 76,0 | 2,99 | 50,0 | 1,969 | 2" |



← **FL93B FL91B FL92B**

FERRULE

FITTING

BSP-BSPT

METRIC

JIC

ORFS

SAE

NPTF-NPSM

JIS

SAE 3000 CODE 61

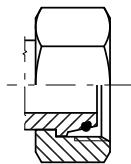
SAE 6000 CODE 62

STAPLE LOCK

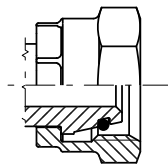
| code | ø hose | | | T | pipe | A | | B | | D | | CH | | |
|-------------|--------|--------|------|-------|------|-------|------|-----|------|------|------|------|-------|--------|
| | dn | inch | size | | | mm | in | mm | in | mm | in | mm | in | ↗ in |
| FL92B-20-36 | 31 | 1.1/4" | 20 | M36X2 | L28 | 83,0 | 3,27 | 4,5 | 0,18 | 72,0 | 2,83 | 41,0 | 1,614 | 1.5/8" |
| FL93B-20-45 | 31 | 1.1/4" | 20 | M45X2 | L35 | 85,5 | 3,37 | 2,0 | 0,08 | 83,0 | 3,27 | 50,0 | 1,969 | 2" |
| FL93B-20-52 | 31 | 1.1/4" | 20 | M52X2 | L42 | 85,5 | 3,37 | 4,0 | 0,16 | 88,0 | 3,46 | 60,0 | 2,362 | 2.3/8" |
| FL92B-24-45 | 38 | 1.1/2" | 24 | M45X2 | L35 | 89,6 | 3,53 | 3,0 | 0,12 | 84,0 | 3,30 | 50,0 | 1,969 | 2" |
| FL93B-24-52 | 38 | 1.1/2" | 24 | M52X2 | L42 | 103,0 | 4,05 | 3,0 | 0,12 | 95,5 | 3,76 | 60,0 | 2,362 | 2.3/8" |

Nut type

FL93



FL91



FL92

